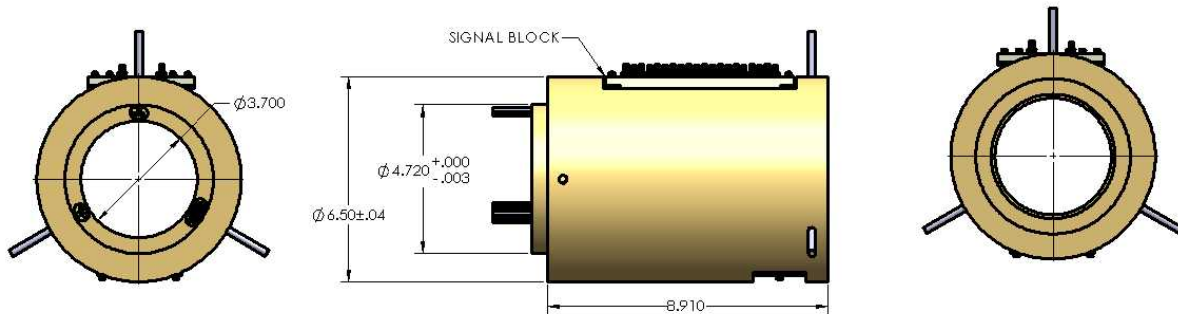




Slip Ring Capsule Model # 2523-00



*Units are Inches

Notes:

RING/CIRCUIT QTY:	4 Power ring/circuits 10 AMPS; signal/ring circuits 5 AMPS
INSULATION RESISTANCE:	1000 MEGOHMS @ 500 VDC
IMPEDENCE:	75 OHMS
NOISE:	10 MILLIOHMS Max

Our Slip Ring Assemblies are Proudly

