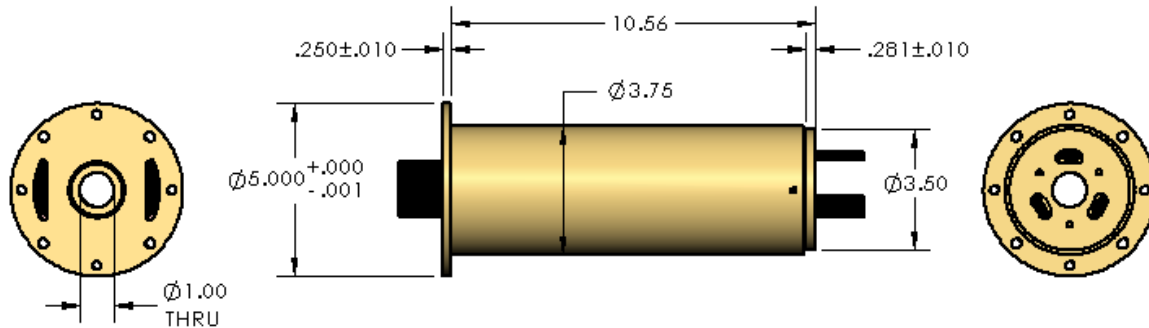




Slip Ring Capsule Model # 2515-00



*Units are Inches

Notes:

RING/CIRCUIT QTY:	Up to 180 signal CKTS
CURRENT:	Signal 2 AMPS; power CKTS available
VOLTAGE:	250 VDC Max.
NOISE:	10 MILLIOHMS max per CKT
DIELECTRIC STRENGTH:	1000 volts RMS. All Combinations
ROTATION:	Bi-directional
SPEED:	300 RPM max

Our Slip Ring Assemblies are Proudly



Electro-Miniatures Corp.

68 West Commercial Avenue | Moonachie, NJ 07074

P: 201.460.0510 | F: 201.935.8153

electro-miniatures.com