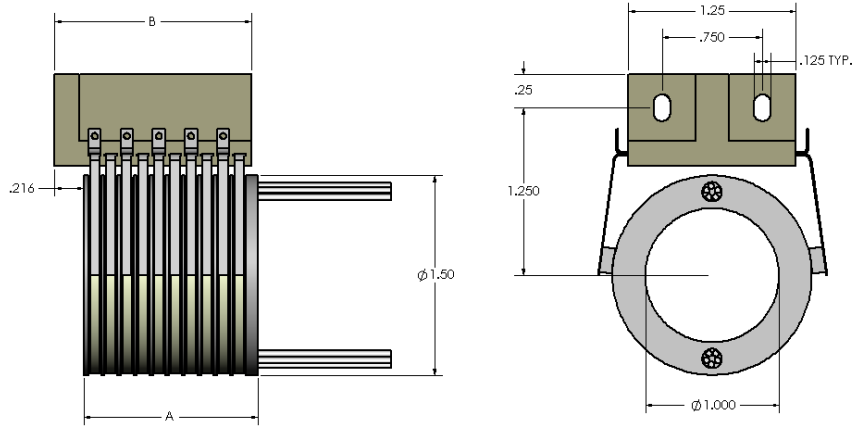




Slip Ring Capsule Model # 2480



*Units are Inches

Notes:

CURRENT: 5 Amps Per Ring/Circuit
DIELECTRIC STRENGTH: 1000 Volts RMS
NOISE: 5 mΩ MAX.

| Ring/Circuit QTY. | A (±.015) | B (±.015) |
|-------------------|-----------|-----------|
| 2 | .34 | .51 |
| 3 | .46 | .63 |
| 4 | .58 | .75 |
| 5 | .70 | .87 |
| 6 | .82 | .99 |
| 7 | .94 | 1.11 |
| 8 | 1.06 | 1.23 |
| 9 | 1.18 | 1.35 |
| 10 | 1.30 | 1.47 |

Our Slip Ring Assemblies are Proudly

