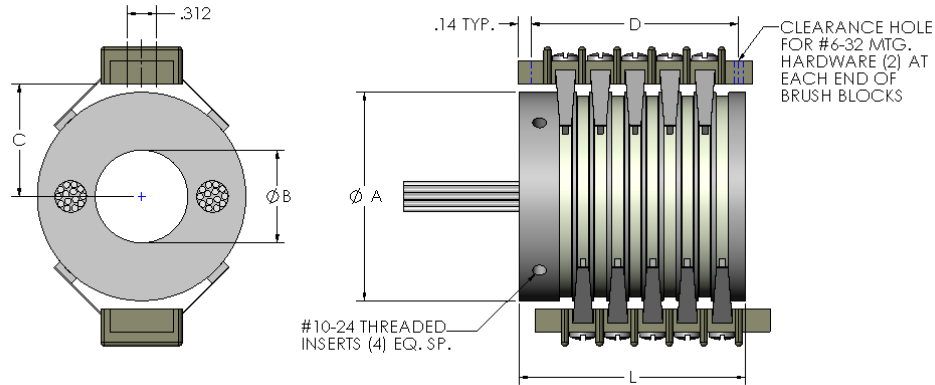




**Slip Ring Capsule Model # 2451-2453**



\*Units are Inches

**Notes:**

CURRENT: 10 AMPS per circuit  
 DIELECTRIC STRENGTH: 750 Volts RMS  
 NOISE: 5 mΩ MAX.  
 INSULATION RESISTANCE: 100 MΩ MIN.

Part #	A (in)	B (in)	C (in)
2451-00	2.250	1.000	1.520
2452-00	3.380	2.000	2.000
2453-00	4.380	3.000	2.465

**Length Formula**

Brush Block Mounting Length  
 $D = (\text{Ckt Qty}) \times (0.1875) + 0.375$   
 Slip Ring Length  
 $L = (\text{Ckt Qty}) \times (0.1875) + 0.562$

Available in Even Number of Circuits Only,  
From 2 to 40 Maximum

**Our Slip Ring Assemblies are Proudly**

