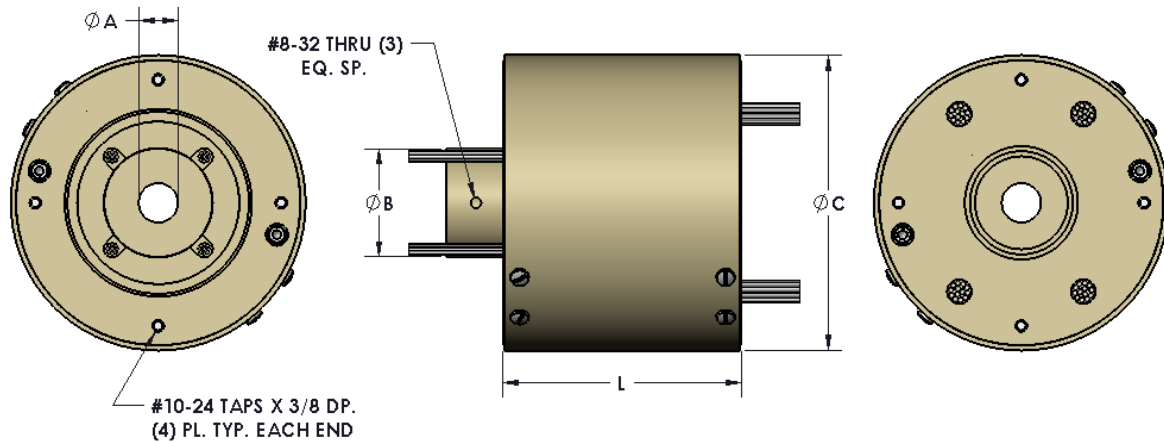




5 Amp Standard Slip Ring Assemblies
2430 - 2435 Series



Part #	A (in)	B (in)	C (in)
2430-00	0.500	1.375	3.750
2431-00	0.750	1.375	3.750
2432-00	1.000	1.375	3.750
2433-00	1.312	2.125	4.500
2434-00	1.500	2.125	4.500
2435-00	1.750	2.125	4.500

# of Rings/Circuit (All Series)	L (in)
1-10	3.00
11-20	4.25
21-30	5.50
31-40	6.75

Notes:

CURRENT: 5 Amps per Ring/Circuit*
 DIELECTRIC STRENGTH: 750 Volts RMS @ 60 Hz
 NOISE: 5 mΩ PTP max.
 INSULATION RESISTANCE: 100 MΩ min.

Our Slip Ring Assemblies are Proudly

