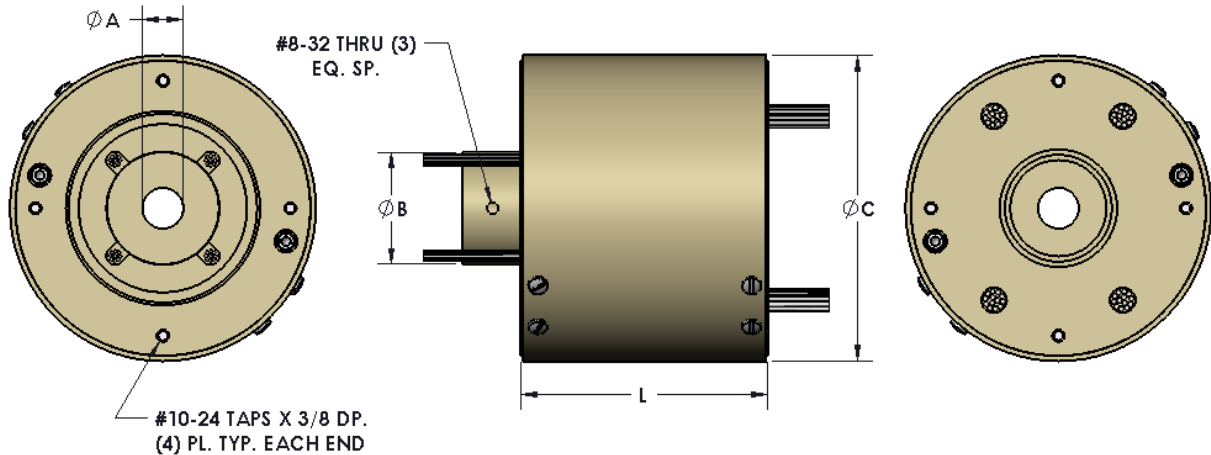




**10 Amp Standard Slip Ring Assemblies**  
2420 - 2425 Series



\*Units are in Inches

Part #	A (in)	B (in)	C (in)
2420-00	1.312	2.125	5.00
2421-00	1.500	2.125	5.00
2422-00	1.750	2.125	5.00
2423-00	2.312	3.125	6.500
2424-00	2.500	3.125	6.500
2425-00	2.750	3.125	6.500

# of RINGS/CIRCUITS (All Series)	L (in)
1-10	4.50
11-20	6.37
21-30	8.29
31-40	10.12

**Notes:**

CURRENT: 10 Amps per Ring/Circuit\*  
 DIELECTRIC STRENGTH: 750 Volts RMS @ 60 Hz  
 NOISE: 5 mΩ PTP max.  
 INSULATION RESISTANCE: 100 MΩ min.

Our Slip Ring Assemblies are Proudly

