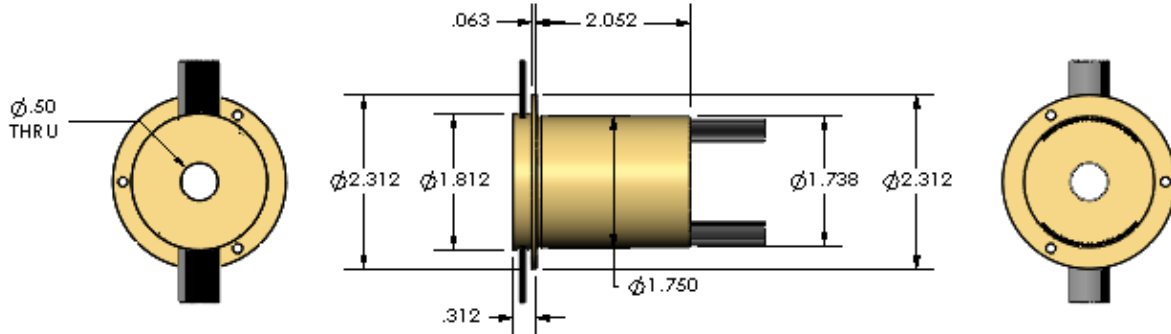




Slip Ring Capsule Model # 2414-00



*Units are Inches

Notes:

- RING/CIRCUIT QTY: 68 rings max, rated up to 2 AMPS max.
- DIELECTRIC STRENGTH: 750 volts RMS
- NOISE: 5 MILLIOHMS max.
- SPEED: Up to 300 RPM, consult factory for higher speeds

Our Slip Ring Assemblies are Proudly

