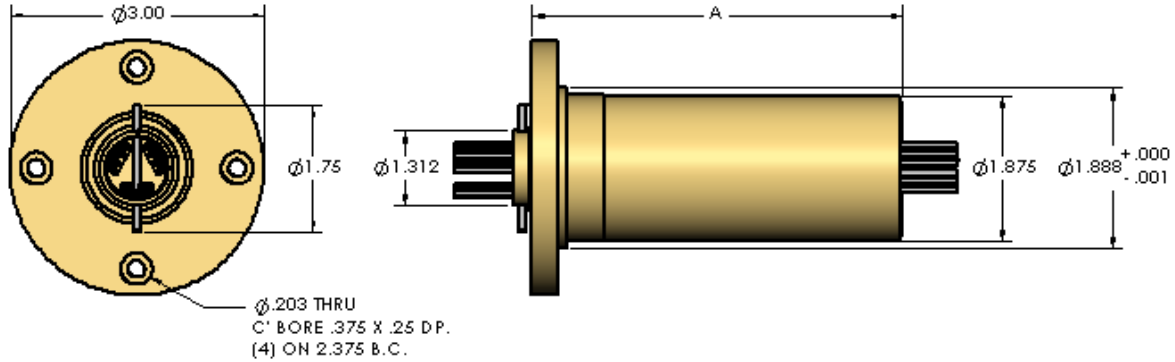




Slip Ring Capsule Model # 2410-00



*Units are Inches

Notes:

Part No.	Length	"A" Length	# of RINGS/CIRCUITS
2410-00-3		8.00"	91-120
2410-00-2		6.50"	61-90
2410-00-1		5.00"	1-60

RING/CIRCUIT QTY: See Table
DIELECTRIC STRENGTH: 1,000 Volts RMS
NOISE: 5 MILLIOHMS MAX.
LIFE: 2,000 hrs. at 100 RPM
SPEED: 600 RPM, Consult Factory for Higher Speeds

Our Slip Ring Assemblies are Proudly

