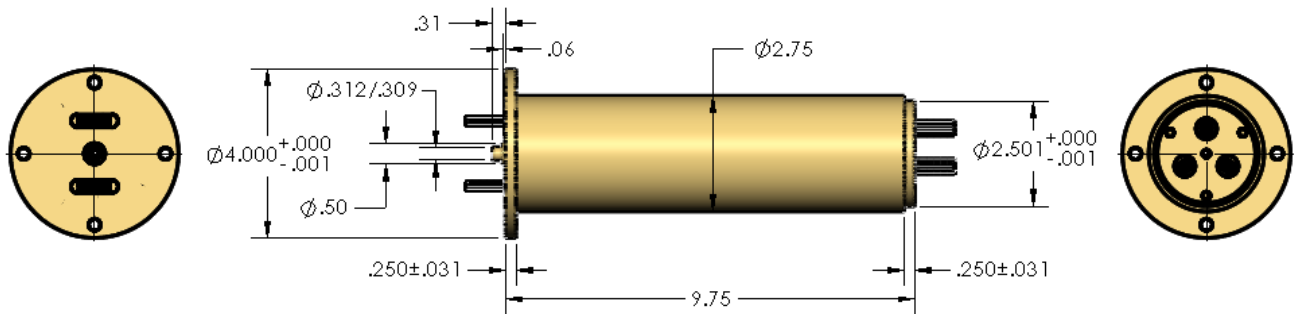




Slip Ring Capsule Model # 2393-00



*Units are Inches

Notes:

RING/CIRCUIT QTY: (74) Signal @ 1 AMP, (6) Co-Axial circuits RB-179B/U and (7) power circuits @ 5 AMPS.
INSULATION RESISTANCE: 100 MEGOHMS min. at 500 V DC.
DIELECTRIC STRENGTH: 500 volts RMS. 60 HZ.
CONTACTS RESISTANCE: 10 MILLIOHMS max. per CKT.
VARIATION:

Our Slip Ring Assemblies are Proudly

