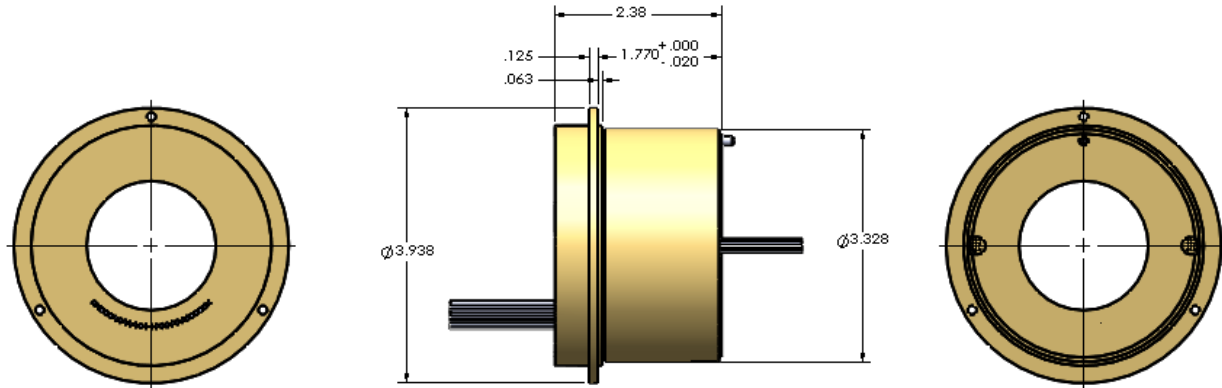




Slip Ring Capsule Model # 2370-00



*Units are Inches

Notes:

RING/CIRCUIT QTY:	25 rings, signal to 2 AMPS
VOLTAGE:	Capable of withstanding 300V, 60HZ for 30 seconds
INSULATION RESISTANCE:	500 MEGOHMS min. @ 500 volts D.C.
DYNAMIC RESISTANCE:	5 MILLIOHMS @ 2 RPM, with a current flow of 50 MA.
CIRCUIT RESISTANCE:	50 MILLIOHMS max. excluding lead lengths
TORQUE:	9 in. oz. max
SPEED:	Up to 500 RPM max. intermittent
LIFE:	10 million revolutions

Our Slip Ring Assemblies are Proudly

