



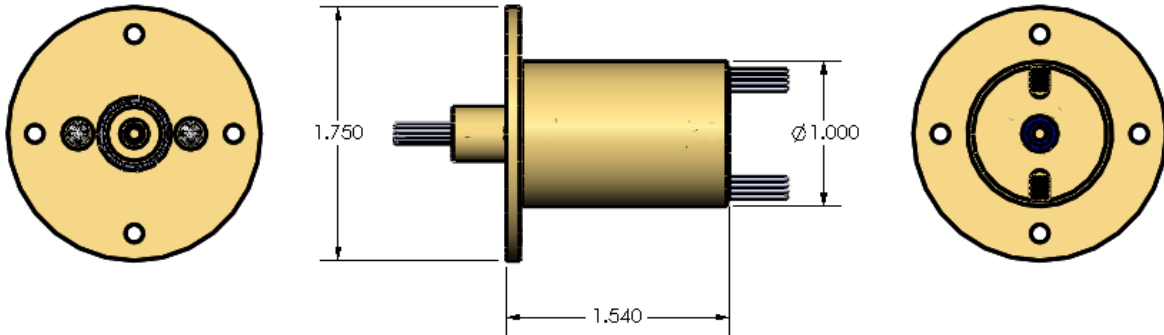
# Electro-Miniatures Corp.

*Solutions Designed Around You*

## Product Data Sheet

Slip Ring Assemblies

### Model # 2175-00



\*Units are in Inches

#### Notes:

Current:	1 Amp per circuit, Typical, Power Available
Leadwire:	See Specific Capsule Drawings
Dielectric Strength:	500 Volts RMS
Noise:	10 mΩ MAX.
Speed:	Varies Based Upon Capsule Configuration

Our Slip Ring Assemblies are Proudly



## Electro-Miniatures Corp.

68 West Commercial Avenue | Moonachie, NJ 07074

P: 201.460.0510 | F: 201.935.8153

[electro-miniatures.com](http://electro-miniatures.com)