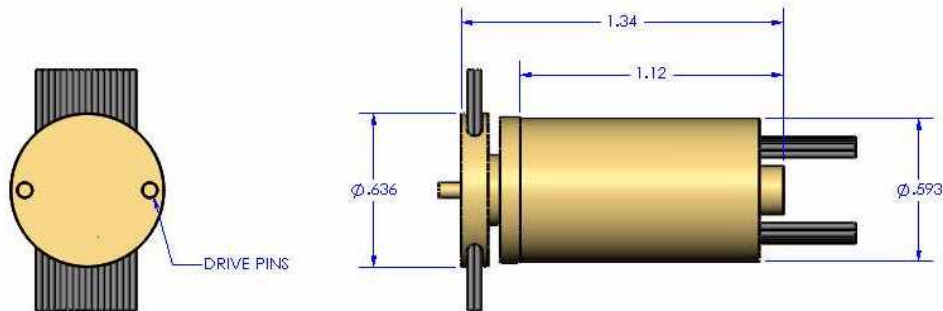


Slip Ring Capsule Model # 1988-00-2



*Units are in Inches

NOTES:

CURRENT RATING:	1 AMP Max.
DIELECTRIC STRENGTH:	250 Volts RMS
NOISE:	5mΩ
RING QTY:	65 (and 1 E.M.C. Spare) Flying Leads Only
LEADWIRE:	30 AWG

Our Slip Ring Assemblies are Proudly

